

iLoq Scandinavian Oval Lock Cylinder C10S.1/2  
and Key K10S.1

Instructions for Use, Installation and Maintenance

# CONTENTS

OPERATING THE LOCK .....	3
INSTALLATION .....	4
MAINTENANCE .....	6

## OPERATING THE LOCK

To operate the lock, insert the key entirely into the keyway and turn the key. If the lock does not open, remove the key and re-insert it into the lock, this time more slowly.

Always insert the key into the keyway gently and slowly. The electric energy is harvested for lock operations when the key is inserted into the lock. If the movement is too fast the lock is kept in the locked state. Do not use force or bend the key when inserting it into the lock.

The contact wire on the metal part of the key must be clean and smooth. If the contact wire is dirty, wipe it clean using a soft tissue. Replace the key if the contact wire is damaged.

### **Warning**

Do not use the iLoq key for other purposes except those mentioned in these Instructions for Use. Using the iLoq key for other purposes may damage the key so that it will no longer work.

## INSTALLATION

To install the iLoq Scandinavian Oval Lock Cylinder C10S.1/2:

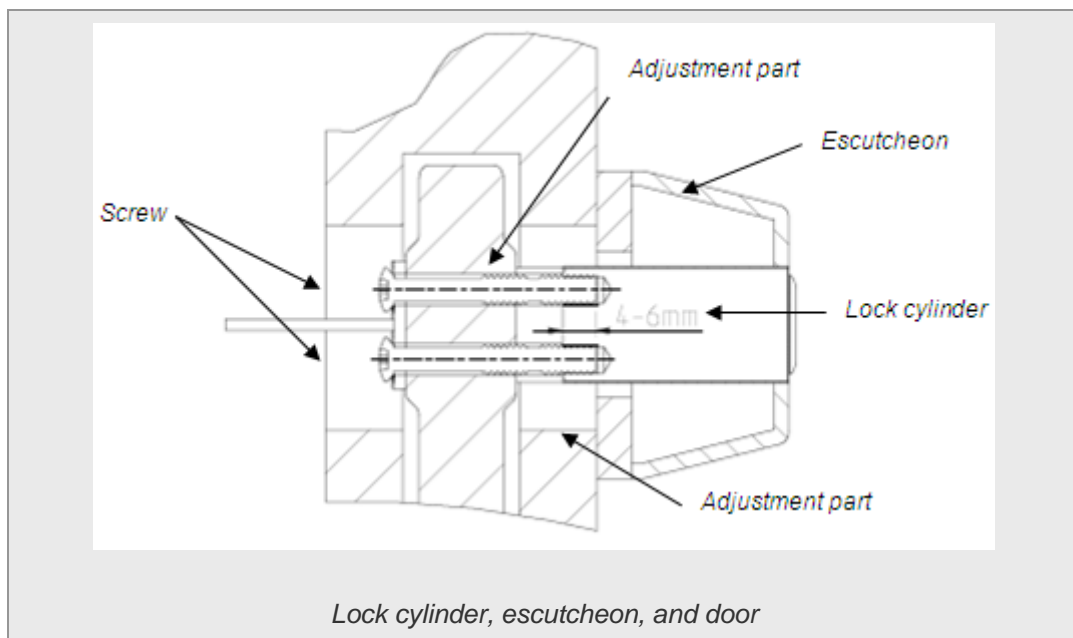
1. Align the cylinder front with the escutcheon front.
2. If needed, insert adjustment parts between the cylinder and lock body, or between the escutcheon and door.

Use an adjustment part also if the surface of the lock body behind the cylinder is uneven.

3. Screw the installation screws gently into place.

**Important!** Note that the maximum screw insertion depth to the cylinder's back plate is 6 mm (see graphic below). Applying a too long screw may cause the screw to penetrate the cylinder's back plate, which may damage the cylinder.

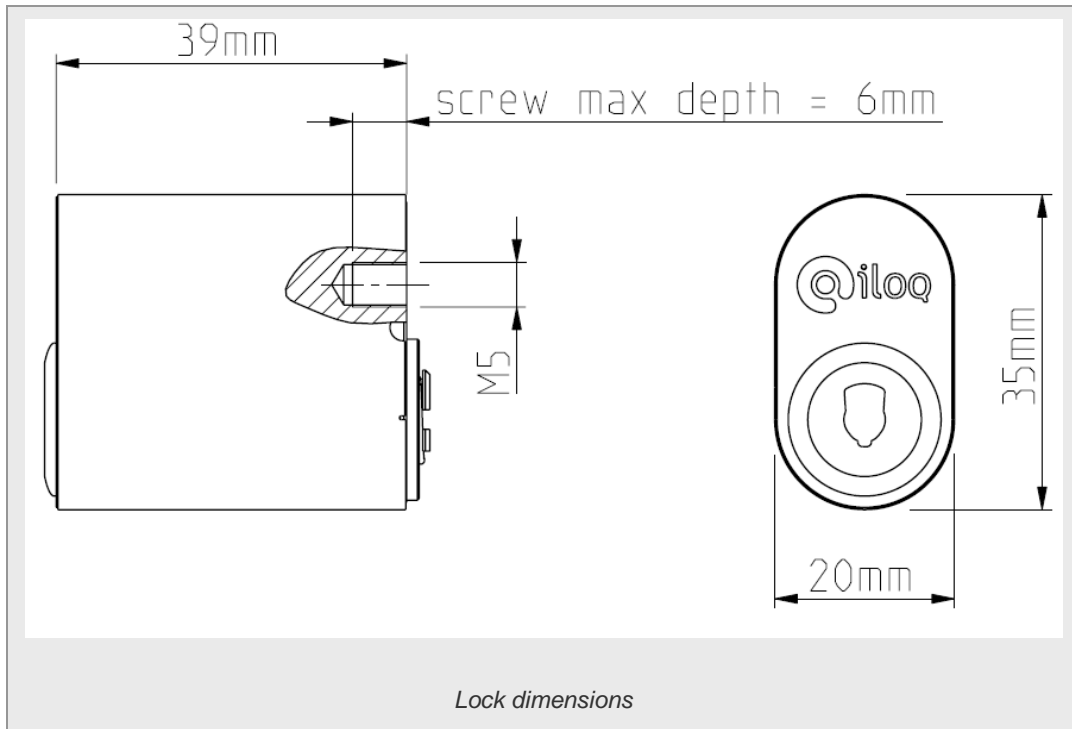
Apply only moderate force (2..3 Nm) when screwing.



For detailed installation instructions, see assembly instruction pictures M000512, M000513, M000514, M000515, and M000516.

For high security purposes, use iLoq escutcheons E10.D1 or E10.E1 to meet attack resistance grade 2 (standard: EN 1303).

Please note the following safety requirement: when installing cylinders on the exit side, use appropriate exit hardware together with the cylinder to allow free exit.



## MAINTENANCE

Clean and lubricate the lock cylinder at least once a year.

1. Apply high pressure dust remover into the keyway (for example, CRC Dust Off).
2. Apply a drop or two of high-quality lock oil into the keyway (for example, CRC Lock Oil Pro).

The contact wire on the metal part of the key must be clean and smooth. If the contact wire is dirty, wipe it clean using a soft tissue. Replace the key if the contact wire is damaged.

